

Constant-Pressure YARN PACKAGE DUROMETER

HP Series

The HP models accurately measure the winding density of textile bobbins, beams, spools, spindles, cones, quills, dye packages, rolls, etc.

Models HPSA and HPSD accurately measure the hardness of rubber and plastics.



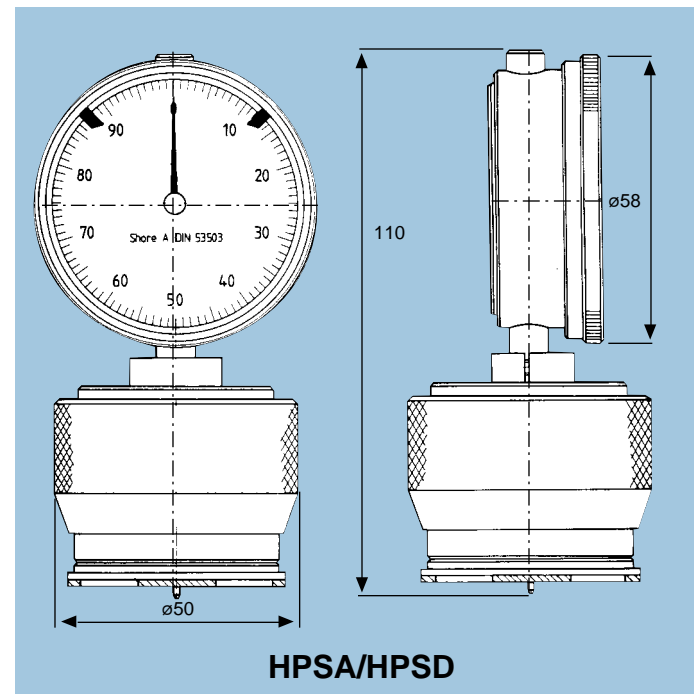
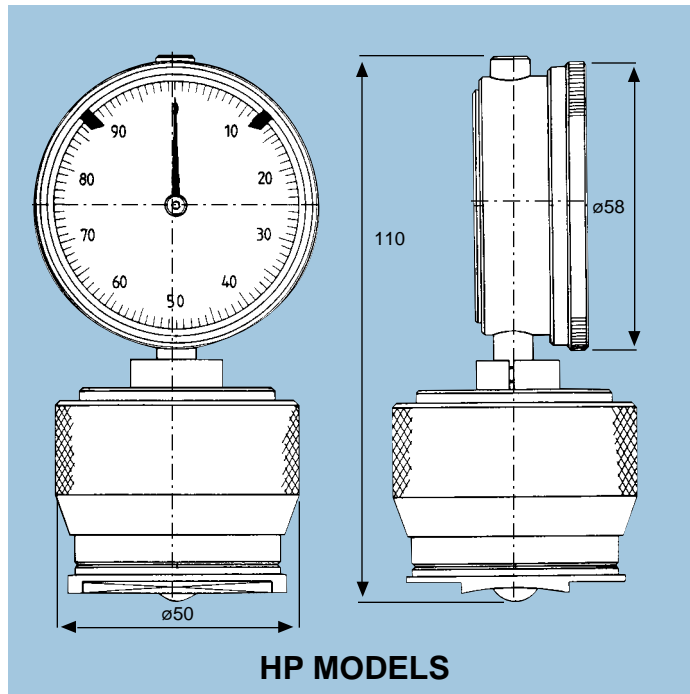
FEATURES

- Constant-pressure indicating system assures uniform test pressure eliminating false readings due to differences between operators.
- Operation is as easy as pressing the spring-loaded knurled aluminum shell down to the red line.
- Supplied in a foam-fitted carrying case.

Model	Indentor Ball Size	Application
HP-2.5	2.5 mm	Closely wound synthetic, hard finish fibers and filaments.
HP-5	5.0 mm	Average yarns, threads, fibers, etc., wound with moderate winding density.
HP-5F	5.0 mm	Same as HP5, except with flat base for large yarn packages over 15" (380 mm) in diameter.
HP-10	10.0 mm	Loosely wound spools of natural or synthetic yarns and fibers, bulky yarns.
HP-10F	10.0 mm	Same as HP10, except with flat base for large yarn packages over 15" (380 mm) in diameter.
HPSA	Dull Point	For rubber parts. Uses standard Shore "A" calibration units.
HPSD	Sharp Point	For plastic parts. Uses standard Shore "D" calibration units.

HP Series

Dimensions



Data & Specifications	HP Models	HPSA	HPSD
Test Pressure	12.5N (2.8 lbs.)	12.5N (2.8 lbs.)	50N (11 lbs.)
Scale Marking	0–100 units		
Scale Diameter	56 mm (2.2")		
Dimensions	110 x 58 mm (4.3" x 2.3")		
Weight	310 g (11 oz.)		

Specifications subject to change without notice.

ELECTROMATIC
EQUIPMENT CO., INC.

600 Oakland Ave., Cedarhurst, NY 11516–U.S.A.
TEL 516-295-4300 • FAX 516-295-4399

For additional information
or to place an order
CALL TOLL FREE
1-800-645-4330