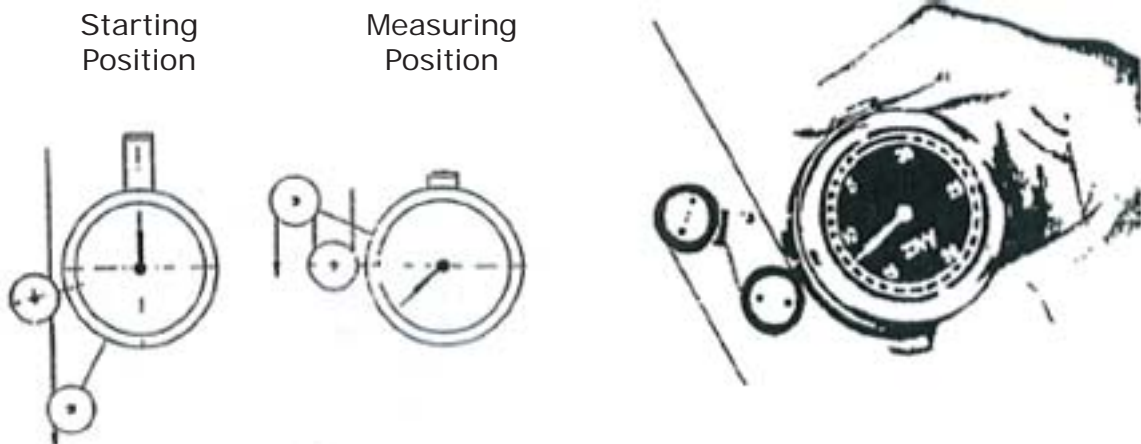


ZIVY Mechanical Tension Meters

Operating Instructions

The ZIVY Yarn Tension Meters are designed for single hand use. The thread runs over two rolls which, to reduce friction, are mounted on miniature roller bearings. Holding the instrument with the right hand as shown in the illustration, the inner pulley is brought into contact with the yarn to be measured, keeping the yarn parallel to the lever on top of the instrument. The outer pulley is then pivoted to its stop by depressing the lever. The inner pulley takes a position which represents the balance between the tension of the arm and the main calibration spring in the meter. This position, by means of a precision gear, is transmitted to the indicator hand which shows the yarn tension on the dial of the instrument. The reading is in grams. The maximum as well as the minimum tension should be read; then indicator following the periodic variations in the tension.



Visit our website at www.checkline.com

ELECTROMATIC Equipment. Co., Inc., 600 Oakland Avenue, Cedarhurst, NY 11516 - USA
Tel: 1-800-645-4330 (in USA & Canada) • Tel: 516-295-4300 • Fax: 516-295-4399