

WIRE TERMINAL PULL TESTER

Model WTTM

MOTORIZED

Current force and breaking force appear on the digital display.



Conforms to all international test standards: MIL, UL, SAE, DIN, IEC, BS and EN.

Accurate, Repeatable & Automatic

Automatic Simplicity. . .

Set the adjustable pull speed, load the wire and close the protective cover. The test runs automatically with the peak "pull-off" force stored on the display at completion.

CHECK•LINE'S® WTTM Wire Terminal Pull Tester measures pull-off force on most soldered or solderless wire terminals, crimped connectors and similar wire terminations.

The WTT-110M is an easy to use all-in-one, single-range solution suitable for a vast

majority of terminal testing applications—eliminating the need to purchase any additional grips, fixtures or accessories.



The WTTM includes instrument with terminal adapter and clamp pull device, AC adapter/charger, RS-232 interface, serial port connection, WTT-COMM software, operating manual.

- **7 selectable pull speeds** from 1 inch per min (25mm per min) to 10 inches per min (250mm per min).
- Precision strain gauge sensing provides a resolution of 1/5000 with an accuracy of 0.5%
- Displays force values in "peak-hold" or "continuous" measurement mode
- Operates using AC power or built-in rechargeable battery via supplied adapter/ charger
- Supplied with FREE data transfer software and serial cable
- Includes NIST Calibration Certificate

Two Models Available

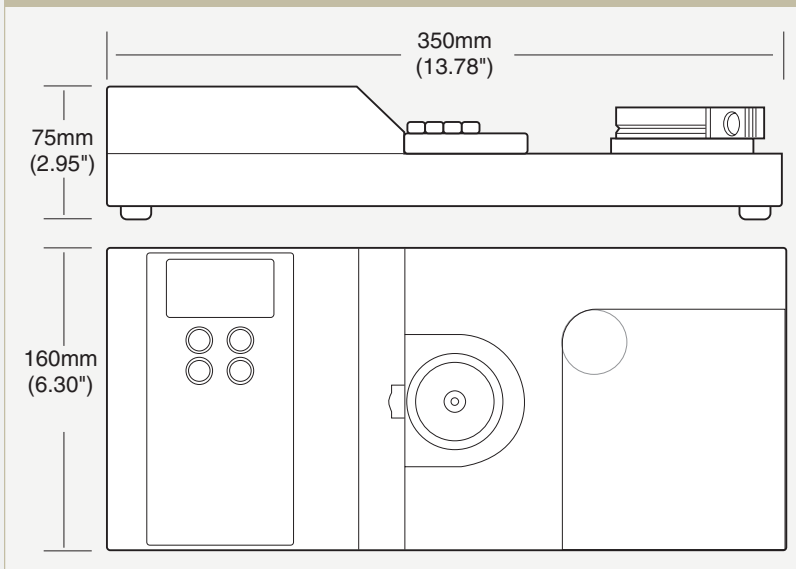
	Measuring Range	Wire Sizes
WTTM-110	110 lb / 50 Kg / 500N	AWG 12 to 28
WTTM-220	220 lb / 100 Kg / 1000N	AWG 8 to 28

WTTM Wire Terminal Pull Tester

Specifications

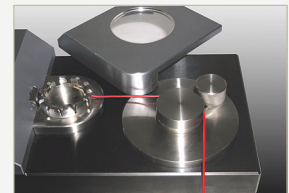
Measuring Range	WTTM-110: 0–110 lbs / 0-50 Kg / 0–500 N WTTM-220: 0–220 lbs / 0-100 Kg / 0–1000 N (units selectable via keypad)	Overload	200% Full Scale (LCD indicator at 120%)
Resolution	WTTM-110: 0.1 lbs / 0.01Kg / 0.1 N WTTM-220: 0.1 lbs / 0.1Kg / 1 N	Display	LCD, 4–1/2 digit, 12mm high
Terminal adapter slot width (mm)	0.5, 0.8, 1.0, 1.4, 1.5, 2.0, 2.5, 3.0, 3.5, 4.0, 5.0, 6.0	Memory	Peak Value
Accuracy	±0.5% F.S. or better	Power Supply	Universal AC adapter/charger (100-240V/50-60 Hz), Internal NiCd battery
Operating Mode	Real Time Displays actual value in Kg, lbs or N Peak Mode Displays peak value in Kg, lbs or N	Interface	RS-232 — 19,200 KB / 8 / N / 1 / None (selectable baud rate)
Update Rate	Real Time 333 msec Peak Mode 1 msec	Temp. Range	Operating 32 to 104 °F (0 to 40 °C) Storage –4 to 140 °F (–20 to 60 °C)
Wire Diameter	SAE AS7928 II AWG 8 . . .30 IEC 60352-2 Cross section 0.05 . . .10mm ² Maximum 0.236" (6mm)	Weight, approx.	42 lbs. (19Kg)
		Dimensions	13.8" x 6.3" x 4.3" (360 x 160 x 110mm)
		Material	Anodized aluminum, steel and stainless steel V2A

Dimension Drawing



Operating Procedure

1. Select the appropriately sized slot in the Wire Terminal Fixture and rotate to the front position
2. Insert the terminal and wire so that it is secured on the back-side of the slot
3. Route the wire so that it passes through the clamping device
4. Select Peak-Hold or Continuous Measure mode using the **(PEAK)** key
5. Press the **(ZERO)** key to perform tare function
6. Close the protective cover and the motor will start the test
7. Read current force and breaking force on the digital display



CHECK·LINE® – PRECISION QUALITY CONTROL INSTRUMENTS

Electromatic Equipment Co., Inc.
600 Oakland Ave.
Cedarhurst, N Y 11516 —USA

Tel: (800) 645-4330 (USA & Canada)
Tel: (516) 295-4300
Fax: (516) 295-4399

Email: info@checkline.com
Website: www.checkline.com

FOR ADDITIONAL INFORMATION OR TO PLACE AN ORDER CALL TOLL FREE 1-800-645-4330