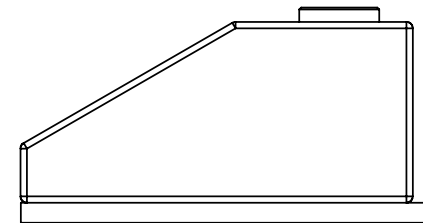
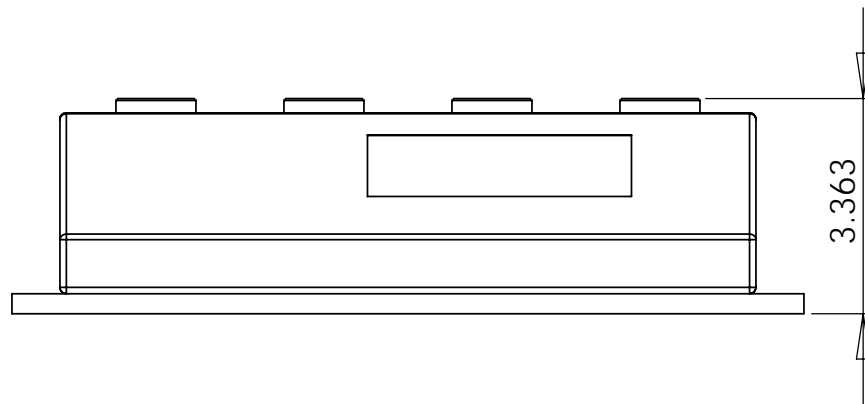
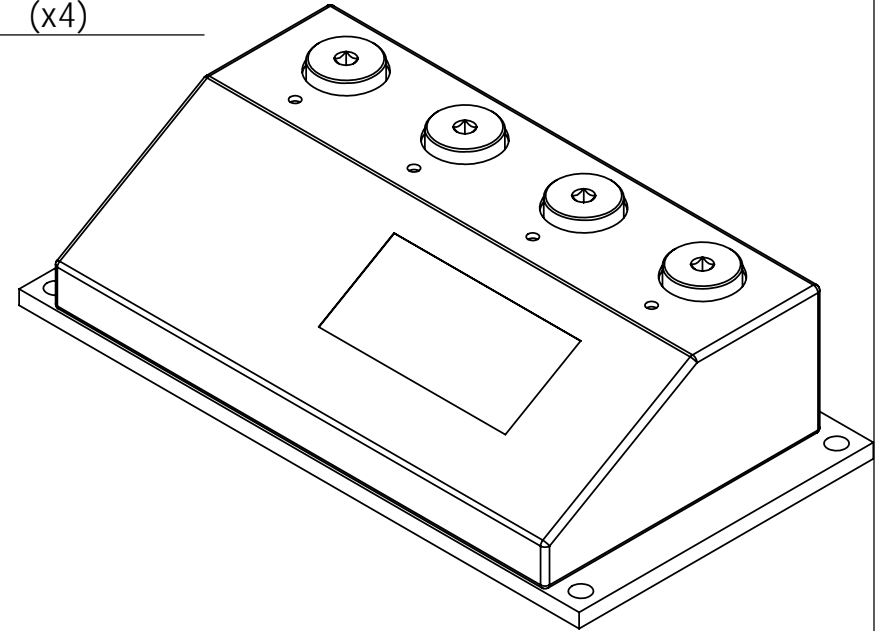


Ø0.391  
(for 3/8"-16 bolt)  
(x4)



**PROPRIETARY AND CONFIDENTIAL**

THE INFORMATION CONTAINED IN THIS DRAWING IS THE SOLE PROPERTY OF AWS, Inc. ANY REPRODUCTION IN PART OR AS A WHOLE WITHOUT THE WRITTEN PERMISSION OF AWS, Inc. IS PROHIBITED.

UNLESS OTHERWISE SPECIFIED:

DIMENSIONS ARE IN INCHES  
TOLERANCES:  
FRACTIONAL ± .005  
ANGULAR: MACH ± BEND ±  
TWO PLACE DECIMAL ± .01  
THREE PLACE DECIMAL ± .005

	NAME	DATE
DRAWN	TLA	11/29/07
Latest Rev Date		11/29/07
ENG APPR.	TLA	
MFG APPR.		

TITLE:  
**MTM 4 Mounting**

COMMENTS:  
Preliminary design, changes may be necessary.

FINISH:

REV **1**

SHEET 1 OF 1