

Tape & Band TENSION SENSOR

Model TERX

5 Tension Ranges
0–100 g up to 0–2000 g

Dual-flanged, cylindrical rollers are ball bearing mounted to provide a friction-free path for tapes, bands and narrow webs/warps up to 30mm wide. TERX Tension Sensors are offered with roller widths of 7, 10, 15, 20 and 30mm.



FEATURES

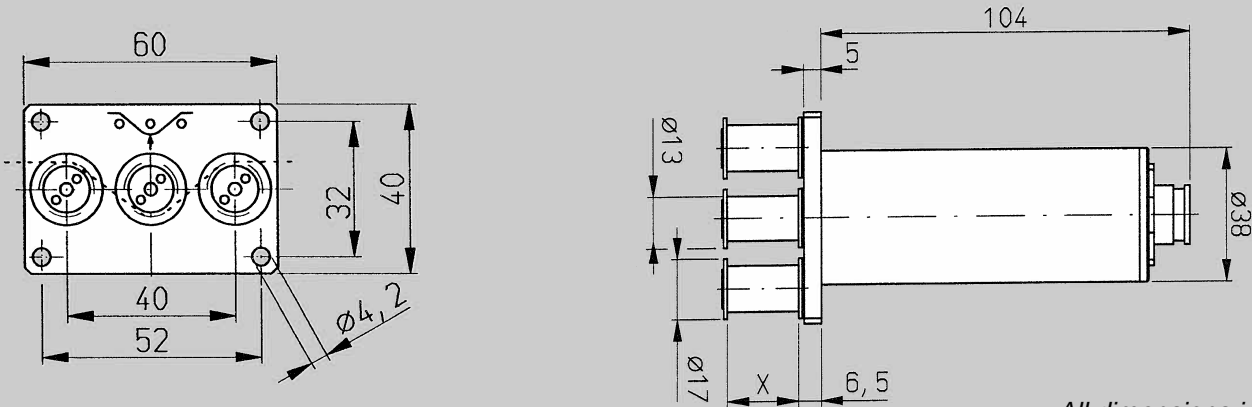
- Roller shells are available in aluminum, chrome-plated steel and plastic
- Precision strain gauge sensing for highest accuracy and repeatability
- 0–1 V DC output, proportional to tension (0–10 V DC optional)
- Frequency response of 100 Hz
- Surface mount electronics provide long-term reliability
- Optional 5 ft. cable, TE-CABLE-CC is recommended. Longer lengths are available.
- Specify roller width “YY”

TENSION RANGES

Model #	TERX-100-YY	TERX-200-YY	TERX-500-YY	TERX-1K-YY	TERX-2K-YY
Range	0–100 g	0–200 g	0–500 g	0–1000 g	0–2000 g

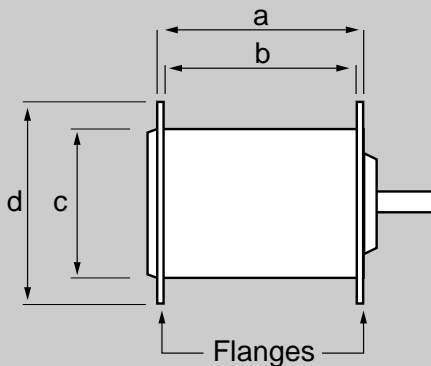
Note: “YY” designates the roller width (7, 10, 15, 20 or 30 mm). See roller dimensions on the reverse side.

Dimensions



All dimensions in mm

Roller



Roller Dimensions

Roller Width	a	b	c	d
7 mm	9	7	13	17
10mm	12	10	13	17
15mm	17	15	13	17
20mm	22	20	13	17
30mm	32	30	13	17

Note

Rollers are offered in single-flanged versions

All dimensions in mm

Specifications

Accuracy	±1.5% FS or better	Spacing of Outer Rollers	40mm
Sensor Excitation	12–18 VDC, 21 mA	Roller Diameter (Root)	13mm
Middle Roller Deflection	0.5 mm (maximum)	Roller Material	
Sensor Output	0–1 VDC (standard), 0–10 VDC (optional), proportional to tension	Standard	Aluminum
Overload Rating	150% FS	Optional	Chrome-Plated Steel (ST) Plastic (PL)
Housing Material	Aluminum	Maximum Linear Speed	1000 m/min
		With “K” option	3000 m/min
		Operating Temperature	40 to 105 °F (5–40 °C)

Specifications subject to change without notice.

CHECK•LINE® – PRECISION QUALITY CONTROL INSTRUMENTS

Electromatic Equipment Co., Inc.
600 Oakland Ave.
Cedarhurst, N Y 11516 —USA

Tel: (800) 645-4330 (USA & Canada)
Tel: (516) 295-4300
Fax: (516) 295-4399

Email: info@checkline.com
Website: www.checkline.com

FOR ADDITIONAL INFORMATION OR TO PLACE AN ORDER CALL TOLL FREE 1-800-645-4330