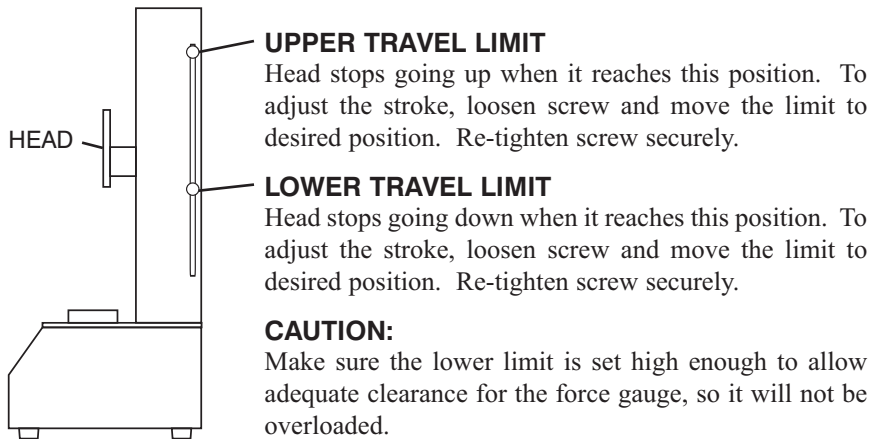


EMERGENCY BRAKE STOP SWITCH

Push the **Emergency Stop Switch** ⑤ whenever you are in an emergency situation. To re-engage the **Emergency Stop Switch** ⑤, simply turn the switch clockwise.

STROKE LIMITER



To prevent accidental movement of the lower limit position, replace the thumb-screw with an M5 Allen screw so an Allen wrench will be required to adjust it.

2 YEAR WARRANTY (RESTRICTIONS APPLY)

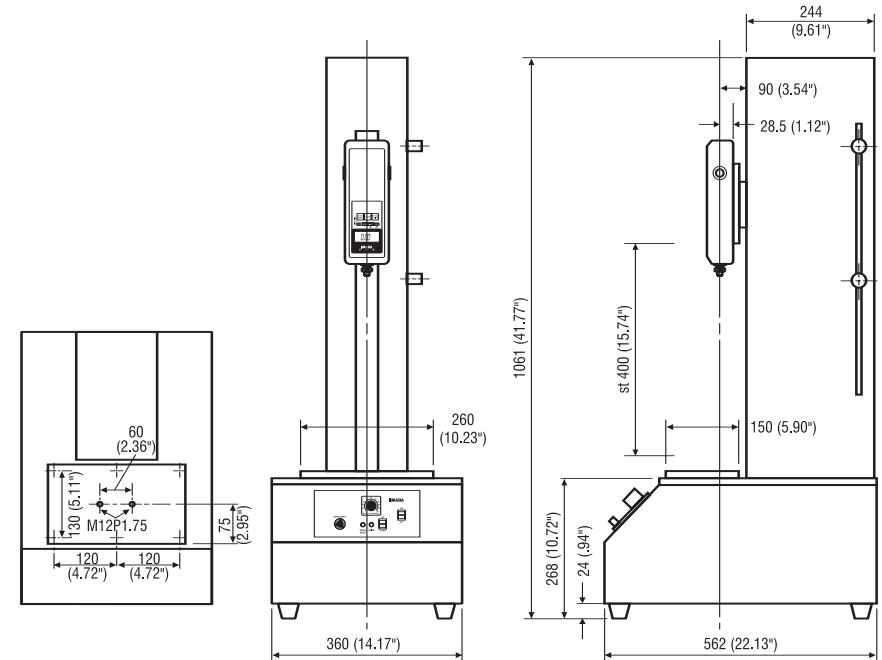
Imada, Inc. warrants its products to the original purchaser to be free from defects in workmanship and material under normal use and proper maintenance for two years (one year for adapters, attachments and cables) from original purchase. This warranty shall not be effective if the product has been subject to overload, shock load, misuse, negligence, accident or repairs attempted by others than Imada, Inc.

During the warranty period, we will, at our option, either repair or replace defective products. Please call our customer service department for a return authorization number and return the defective product to us with freight prepaid.

The foregoing warranty constitutes the **SOLE AND EXCLUSIVE WARRANTY**, and we hereby disclaim all other warranties, express, statutory or implied, applicable to the products, including but not limited to all implied warranties of merchantability and fitness. In no event shall Imada, Inc. be liable for any incidental or consequential damages.

VERTICAL MOTORIZED TEST STAND

Model MV-1100-BA



INSTRUCTION MANUAL

Specifications subject to change without notice.

INTRODUCTION

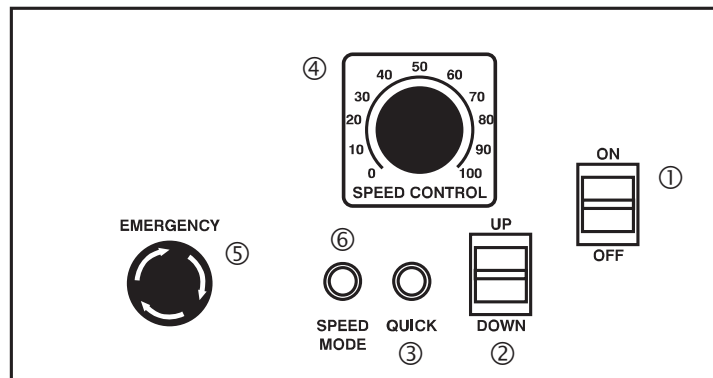
The **Model MV-1100-BA Vertical Motorized Test Stand** assures consistent, identical measuring conditions by eliminating possible human error.

SPECIFICATIONS

Motorized Vertical Test Stand

Model No: MV-1100-BA (Basic Type)

Max Load:	1100 lbf
Standard Speed	.3~9.5"/min
Optional High Speed	.5~15.7"/min
Optional Low Speed	.2~4.7"/min
Stroke:	approx. 16"
Weight:	approx. 145 lbs.
Dimensions:	41"H x 15"W x 22"D
Power:	115 VAC



CONTROL PANEL

- | | |
|--------------------|-------------------------|
| ① Power Switch | ④ Speed Adjust Knob |
| ② Direction Switch | ⑤ Emergency Stop Switch |
| ③ Quick Switch | ⑥ Speed Mode Switch |

GENERAL OPERATION

1. Make sure of the following before plugging the power cord into the 115VAC output.
 - A. Turn **Speed Adjust Knob** ④ counter-clockwise all the way to zero.
 - B. Turn **Emergency Switch** ⑤ clockwise to release the stop (to set operation).
 - C. To allow operation, move the upper and lower limit switches so that there will be a separation between them. (For the upper and lower limit switch, see the page 4 of this manual)
2. Attach Plug power cord to stand and plug into 115VAC outlet.
3. Turn **Power Switch** ① on. Red power lamp will light.
4. When the **Direction Switch** ② is pressed up, the Head goes up to the upper travel limit. When the **Direction Switch** ② is pressed down, the Head goes down to the lower travel limit. (The travel limit positions are adjustable.)
5. Select desired test speed:
 - A. **Adjustable Speed Mode:** Release ⑥ Speed Mode Switch to out (off) position (Red light off). Adjust the speed of the movement by turning the Speed Adjust Knob ④.
 - B. **Fixed Speed Mode:** Push ⑥ Speed Mode Switch (Red light on). This will provide a constant speed.
6. Regardless of preset speed, when the **Quick Switch** ③ is pressed, Head will move at maximum speed.

Emergency Brake Stop Switch

Push this **Emergency Stop Switch** ⑤ whenever you are in emergency situation. To re-engage the **Emergency Stop Switch** ⑤, simply turn the switch clockwise.

— WARNING —

1. Do Not Exceed 1,100 lbf Capacity
2. Test samples can break or shatter, wear eye and body protection to avoid injury.

Lexan Safety Shield (LP-99) Available

Helps protect personnel by containing test debris.

- 1/4" clear unbreakable lexan
- Allows access to the control panel

