

32-1062 REV 0

The compact ES05 test stand is designed for compression testing of up to 30 lbF (150 N). Typical applications include switch contact activation testing, small spring testing, peel testing, and more. A spring-loaded lever allows for repeatable testing with up to 1.5" (38 mm) displacement. The lever mechanism can be repositioned along the length of the column, allowing this stand to be used for various sized samples. The ES05's small footprint makes it particularly well suited to crowded workbenches, while its low weight makes it very portable for field auditing or for quick transportation to other testing areas.

Specifications

Load capacity:	30 lbF [150 N]
Loading method:	Spring-loaded lever
Maximum travel:	1.5 in [38 mm]
Included accessories:	Force gauge mounting hardware
Warranty:	3 years (see individual statement for details)

Optional Equipment

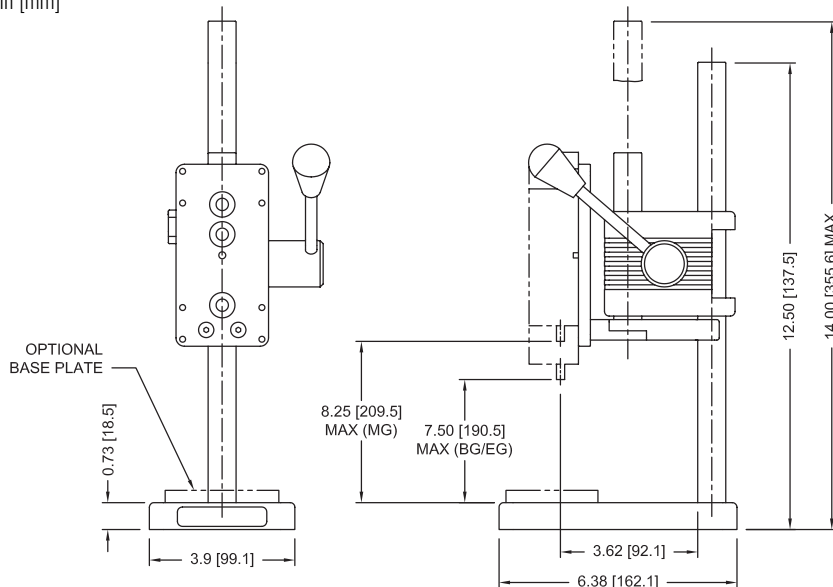
Base plate 14-1068	Steel base plate has 25 #10-32 threaded holes for fixture mounting
-----------------------	--

>> Base plate



Dimensions

in [mm]



The ES05 is shown in a switch contact activation test, with Series BG digital force gauge, extension rod and rubber tip attachment.

Ordering Information

Model No.	Description
ES05	Test stand, lever-operated, 30 lbF
14-1068	Base plate, tapped holes